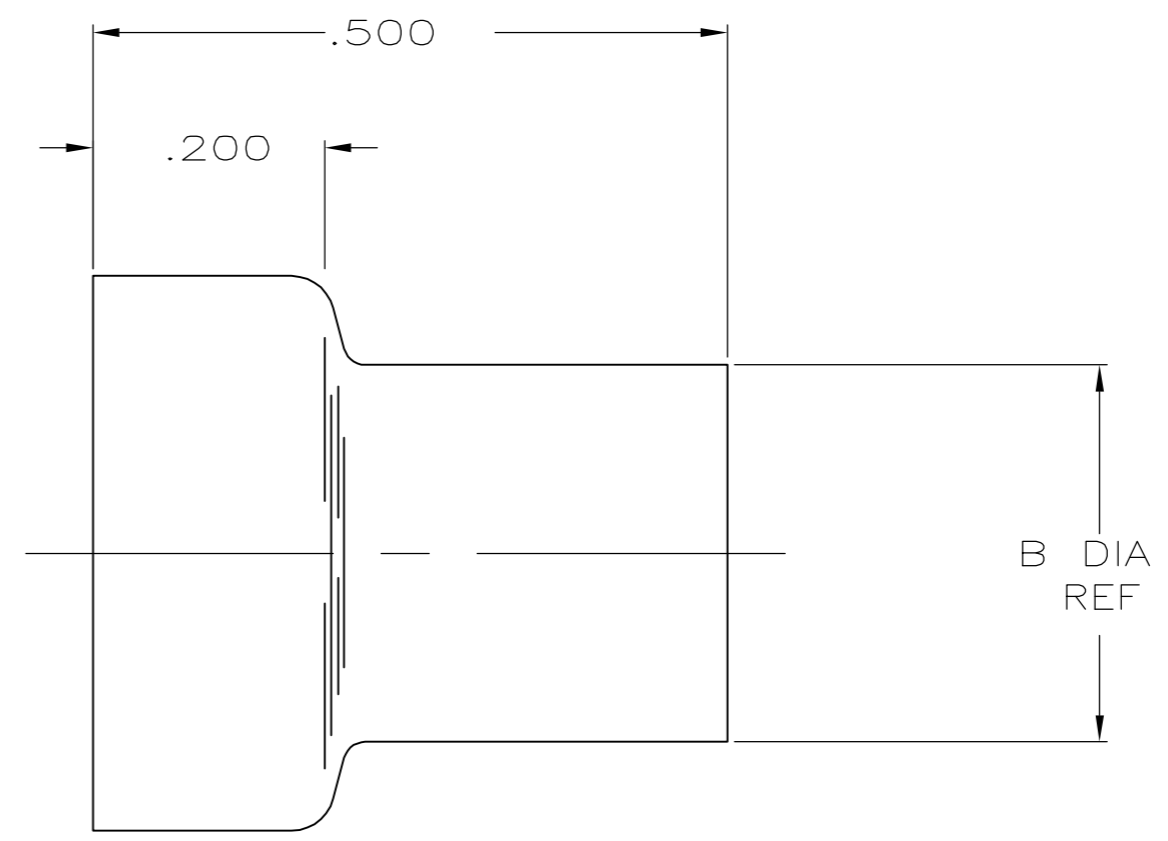
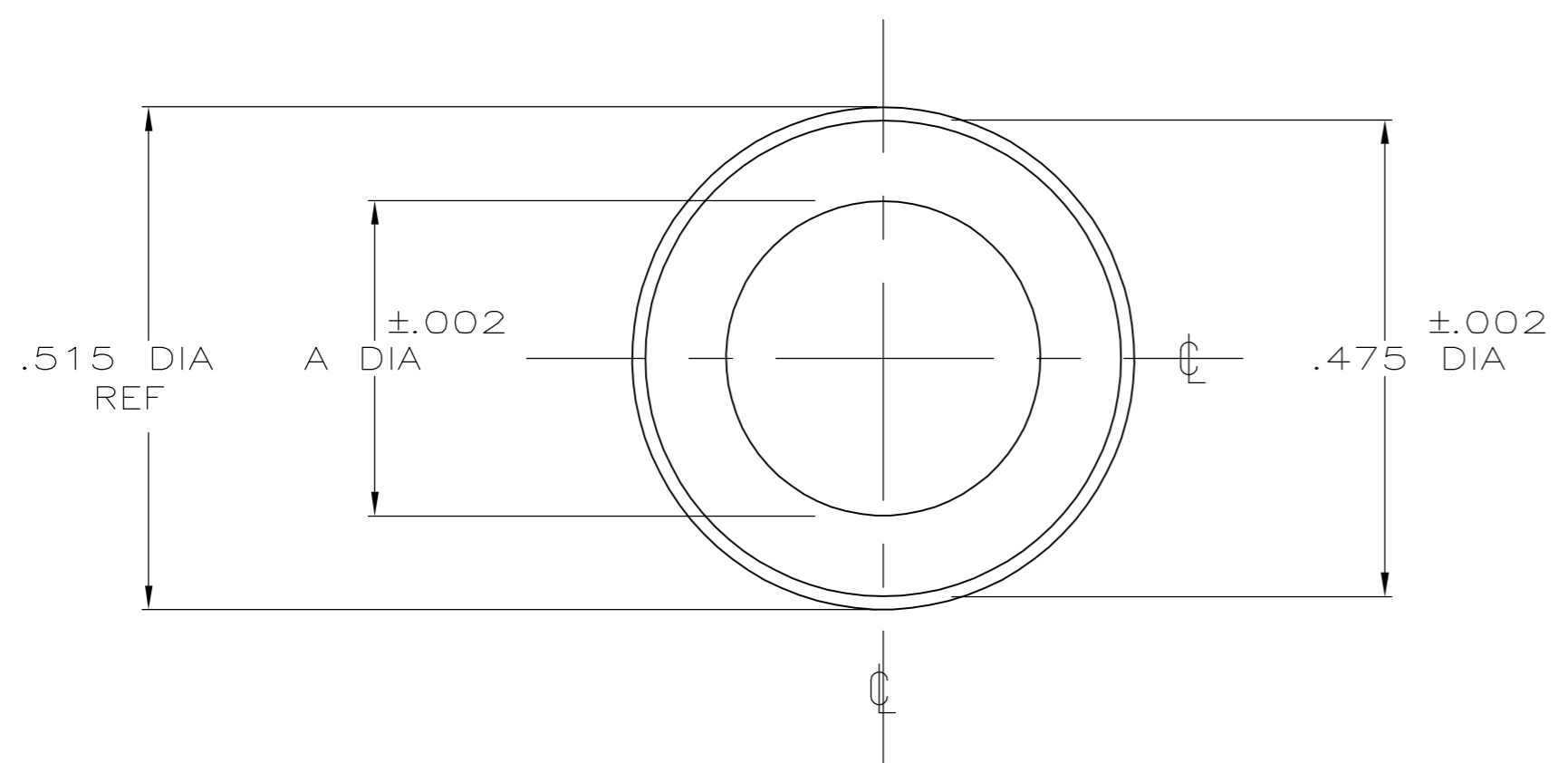


THIS DRAWING IS UNPUBLISHED. RELEASED FOR PUBLICATION
 © COPYRIGHT BY TYCO ELECTRONICS CORPORATION. ALL RIGHTS RESERVED.

LOC	DIST	REVISIONS			
P	LTR	DESCRIPTION	DATE	DWN	APVD
GP	00	C	REVISED PER ECN-0513-0331-05	26SEP06	JDP CWR



	.350	.310	TIN OVER COPPER	BRASS .020 THICK	212435-9
OBSOLETE	.300	.260	TIN OVER COPPER	BRASS .020 THICK	212435-8
OBSOLETE	.250	.210	TIN OVER COPPER	BRASS .020 THICK	212435-7
	B DIA. REF.	A ±.002 DIA.	FINISH	MATERIAL	PART NO

THIS DRAWING IS A CONTROLLED DOCUMENT.		DWN	S	SCHAFFHAUSER	3-5-86	tyco Electronics	Tyco Electronics Corporation Harrisburg, PA 17105-3608	
DIMENSIONS: INCHES		CHK	G	YETTER	3-6-86		FERRULE, SHIELDED, CIRCULAR DIN	
TOLERANCES UNLESS OTHERWISE SPECIFIED:		APVD	-	-	-	NAME		
0 PLC ± -		PRODUCT SPEC	-			SIZE		
1 PLC ± -		APPLICATION SPEC	-			CAGE CODE	DRAWING NO	RESTRICTED TO
2 PLC ± -		WEIGHT	-			A2	00779	C=212435
3 PLC ± -		CUSTOMER DRAWING	-			SCALE	N.T.S.	SHEET 1 of 1
4 PLC ± -			-			REV	C	
ANGLES ± -			-					
FINISH			-					
SEE TABLE			-					
			-					